

4. Requiring 2 people, flip table back to up right position.

* Lock castor wheel in place and release carriage back into storage position.

* Using two (2) people, flip table 90° on to up right storage stance.

* Fold table top back down, and process is complete.

5. Repeat process for second half of table.

* Place both inner ends together for complete table.

* Adjust wheel and leg height accordingly.

NOTE:

Please carefully read through instructions once before proceeding with assembly.

(1) Heavy load, 2 or more adults are recommended to assemble.

(2) Proper lifting posture is recommended to avoid injuries.

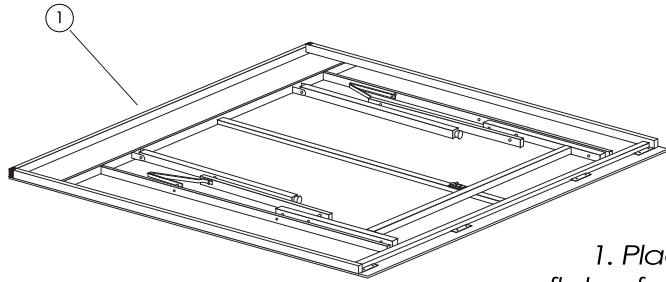
(3) Table contains small parts & components not suitable for children.

(4) Table contains joints and folding parts. Care should be taken during stowage & assembly

(5) Products folds upright and free standing. Efforts should be made to secure during stowage.

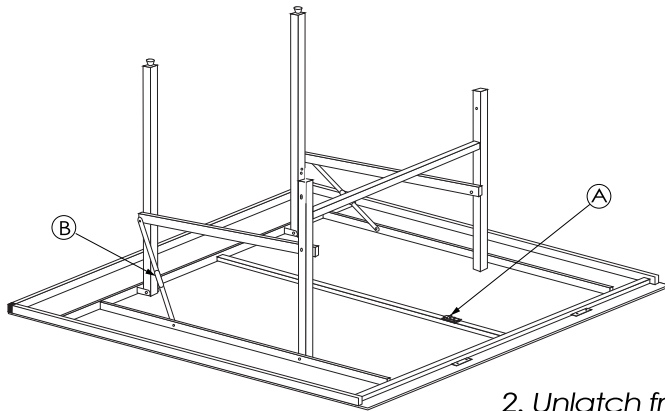
COMPONENTS:

Part Description	Quantity
① Table Surface w/ Undercarriage Assembly	2
② T Leg	4
③ Caster wheels	8
④ T Leg Joining Plate	8
⑤ Bolt	8
⑥ Metal Washer	16
⑦ Locking Nut	8



1. Place one side of the table on flat surface with playing surface facing down.

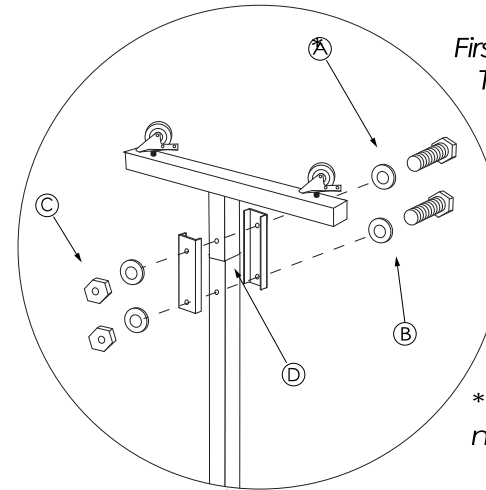
- * Recommend assembly on flat floor surface.
- * Ensure assembly surface is free of any debris.
- * Carton box can be used to line floor surface to reduce chance of scratching table top.



2. Unlatch frame lock (A) and bring table legs to upright position.

- * Support beams should be locked into place to avoid legs folding down during assembly. (B)

3. Lower T-Leg into position and attach T-Leg Joining plates. Insert bolt, washer and nut to secure into place.



First thread bolt, washer, joining plate and T-Leg at point (A)

* Then thread bolt, washer, joining plate and T-Leg at point (B)

* Once both points has been aligned, on opposite side, slide on adjacent joint plate and secure with washer and nut (C)

* On TTTATO25, base bar on T-Leg has a non-symmetrical length.

For correct insertion, please match arrow indicators at point (D)

